

RRC-MC11-90-2

Battery Mating Connector

P/N: 210520



Features:

- Mating connector for standard battery form factors RRC11xx
- 3.00A max. charge or discharge current to battery
- 4-pin male spring pin connector
- 2.5mm pitch
- RoHS and REACH compliant

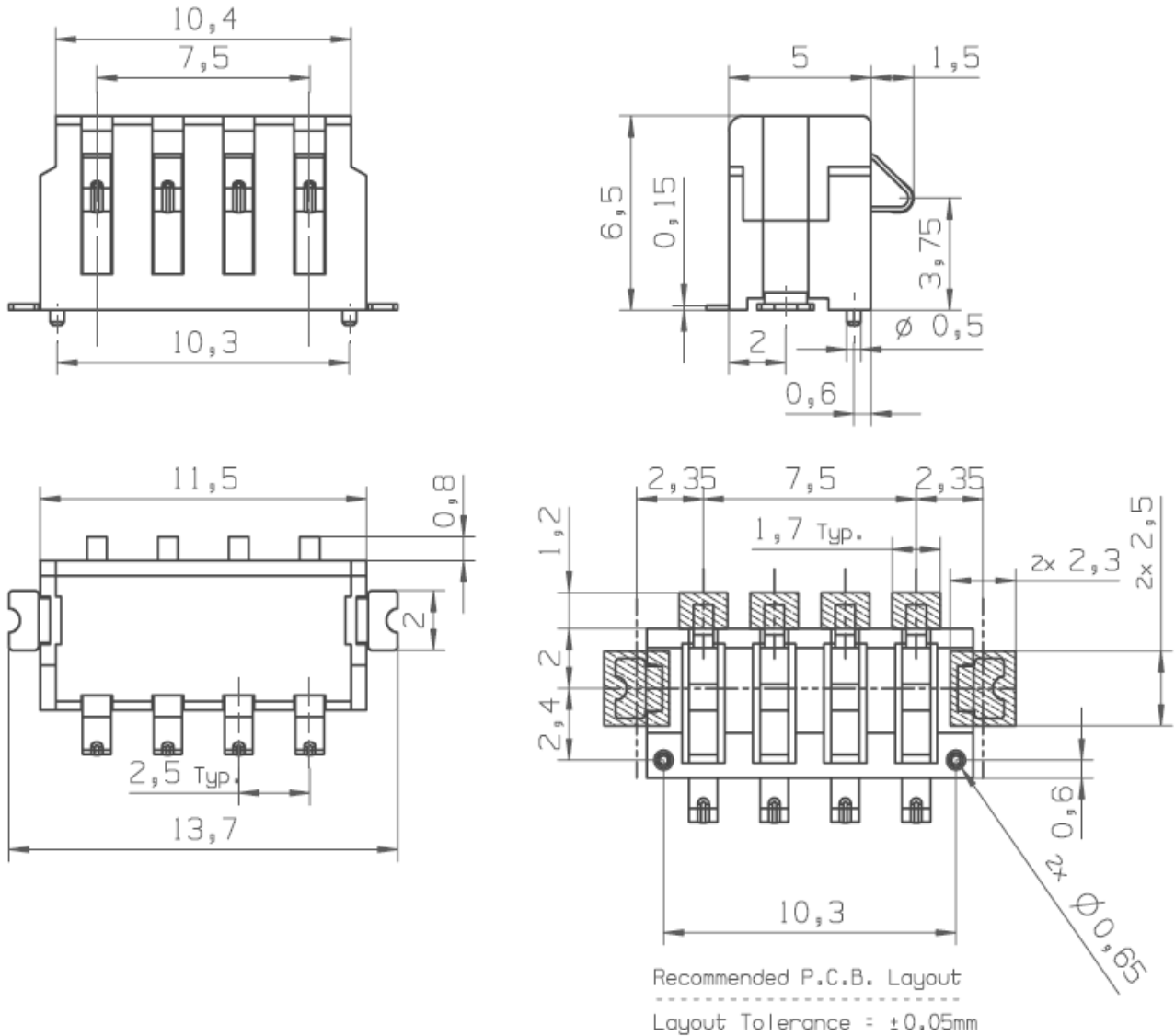
Applications:

Mating connector for RRC's semi smart batteries used in medical and industrial applications

Specification

Ratings	
Current	3.00A max. / pin
Voltage	12.00VDC
Materials	
Housing	Thermoplastic High Temperature, UL 94 V-0, black
Contacts	Copper Alloy
Plating	G/F on contact area, G/F on solder tails
Environmental Condition	
Operating Temperature	-40°C to +105°C
Electrical Requirements	
Contact Resistance	40mOhm max.
Insulation Resistance	1000MOhm min. @ 500VDC / 2min
Dielectric withstand	No breakdown @ 500V RMS
Mechanical Requirements	
Dimensions (LxWxH)	11.5mm x 5.0mm x 6.5mm
Weight	<1g
PCB mounting	SMT 90°
Contact Retention Force	300gf min. / pin
Physical Requirements	
Solder Temperature	260°C ± 5°C
Immersion Period	5sec (EIA-364-56C)
Regulatory Approvals	
Green Procurement	RoHS REACH
Packaging	
700 connectors per reel	
7 reels per carton	

Drawings



DIMENSION IN mm			
Tolerance unless otherwise specified			
X.	± 0.30	X.°	± 10°
X.X	± 0.20	X.X°	± 5°
X.XX	± 0.15	X.XX°	± 2°

Germany/Headquarters

RRC power solutions GmbH
Technologiepark 1
66424 Homburg / Saar

Tel.: +49 6841 98090
Fax: +49 6841 9809280
Email: sales@rrc-ps.de
Web: www.rrc-ps.com

USA

RRC power solutions Inc.
18340 Yorba Linda Blvd.,
107-437
Yorba Linda, CA 92886

Tel.: +1 714 777 3604
Fax: +1 714 777 3658
Email: usa@rrc-ps.com
Web: www.rrc-ps.com

Hong Kong

RRC power solutions Ltd.
S-V,6/F, Valiant Industrial
Centre 2-12 Au Pui Wan Street
Fo Tan, N.T., Hong Kong

Tel.: +852 2376 0106
Fax: +852 2375 0107
Email: hkrrc@rrc-ps.cn
Web: www.rrc-ps.cn

China

RRC power solutions Ltd.
Room 1306, C Building,
Tianan International building,
Renmin South Road, Luohu
District, Shenzhen 518021

Tel.: +86 755 8374 1908
Fax: +86 755 8374 1861
Email: hkrrc@rrc-ps.cn
Web: www.rrc-ps.cn